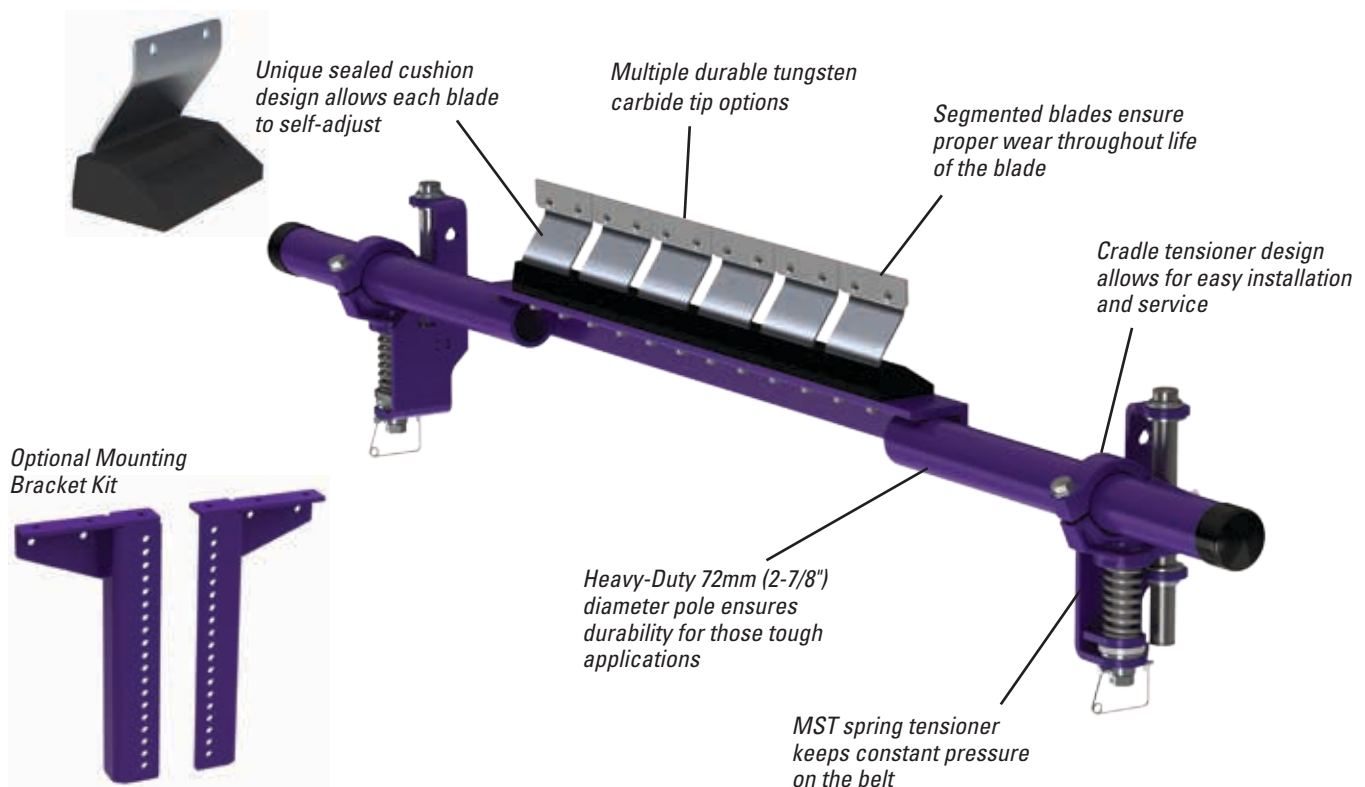


FMS Medium-Duty Secondary Cleaner

Reliable Cleaning at an Affordable Price

The FMS Secondary Belt Cleaner features carbide blades, self-adjusting spring tensioners and unique cushions that independently tension each blade to the belt. This simple but durable design provides quality cleaning performance at an affordable price.



Features and Benefits

- **Made for mining conveyors.** Made from heavy-duty steel with corrosion-resistant powder coating, the FMS is available in sizes for belt widths from 450 to 1800mm (18" to 72"). Additional sizes are available upon request.
- **For belt speeds up to 5M/s (1000 fpm).**
- **Compact spring tensioner.** Utilizes the MST tensioner to maintain constant pressure on the belt.
- **Cleaning efficiency of metal blades.** The thin, hard edges of the 150mm (6") wide metal blades deliver high cleaning efficiency and long wear life.
- **Works with Flexco mechanical splices.** The C-Tip tungsten carbide blades are impact-resistant, and the spring cushion allows them to move away from a passing splice without damage and with minimal cleaning disruption. V-Tips can be used only on vulcanized belts.
- **A complete cleaning system.** When the FMS is teamed with the MSP or MMP Precleaner the system provides excellent cleaning power for tough applications.

FMS

Medium-Duty Secondary Cleaner

Specifications and Guidelines

Maximum Belt Speed

5 M/sec (1000 FPM)

Temperature Rating

-35° C to 82° C (-30° F to 180° F)

Usable Blade Wear Length

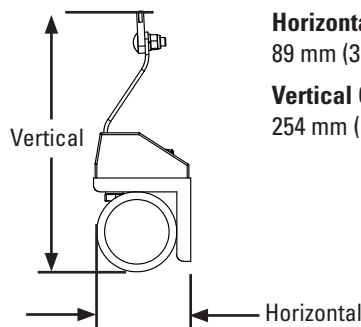
9 mm (3/8")

Available for Belt Widths

450 to 1800 mm (18" to 72")

Blade Material

Impact resistant, long-lasting tungsten carbide (C-Tips for mechanical fasteners, V-Tips for vulcanized belts)

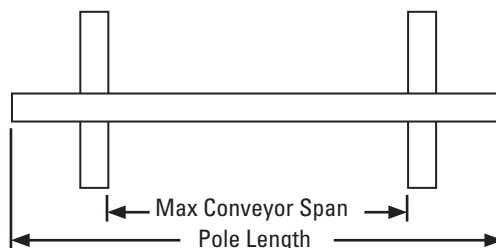


Horizontal Clearance Required

89 mm (3-1/2")

Vertical Clearance Required

254 mm (10")



Pole Length

Belt width + 1350 mm (54")

Maximum Conveyor Span

Belt width + 1100 mm (44")

Ordering Information

FMS Secondary with C-Tips			
Belt Width		Complete Cleaner	
mm	in.	Ordering Number	Item Code
450	18	FMS-18	79637
600	24	FMS-24	79638
750	30	FMS-30	79639
900	36	FMS-36	79640
1050	42	FMS-42	79641
1200	48	FMS-48	79642
1350	54	FMS-54	79643
1500	60	FMS-60	79644
1800	72	FMS-72	79645

Lead time: 1 working day

FMS Secondary with V-Tips			
Belt Width		Complete Cleaner	
mm	in.	Ordering Number	Item Code
450	18	FMS-18V	79646
600	24	FMS-24V	79647
750	30	FMS-30V	79648
900	36	FMS-36V	79649
1050	42	FMS-42V	79650
1200	48	FMS-48V	79651
1350	54	FMS-54V	79652
1500	60	FMS-60V	79653
1800	72	FMS-72V	79654

Lead time: 1 working day



FMS Secondary Cleaner

Replacement Tips		
Ordering Number	Item Code	
ICT6 (C-Tip)	74535	
RSA150 (V-Tip)	73628	

Replacement Cushion		
Ordering Number	Item Code	
FMSC	79699	

Drop Bracket Kit		
Ordering Number	Item Code	
MSTDB	79434	

Blades Required per Cleaner Size										
mm	450	600	750	900	1050	1200	1350	1500	1800	
in.	18	24	30	36	42	48	54	60	72	
Blades Required	3	4	5	6	7	8	9	10	12	

Authorized Distributor:

Av. Jorge Alessandri 11.500 – Edificio 7 • Megacentro San Bernardo
San Bernardo • Santiago, Chile
Teléfono: 56-2-2896-7870 • Correo electrónico: ventaslatam@flexco.com

Visite www.flexco.com para conocer otras ubicaciones y productos de Flexco.

©2017 Flexible Steel Lacing Company. 02/15/17. Para hacer otro pedido: X4202

